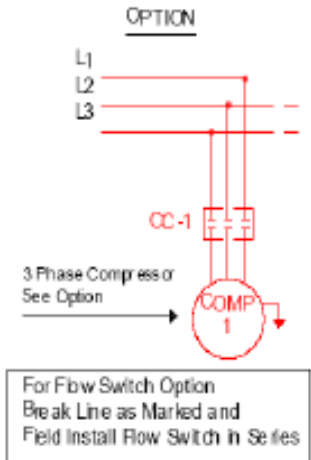
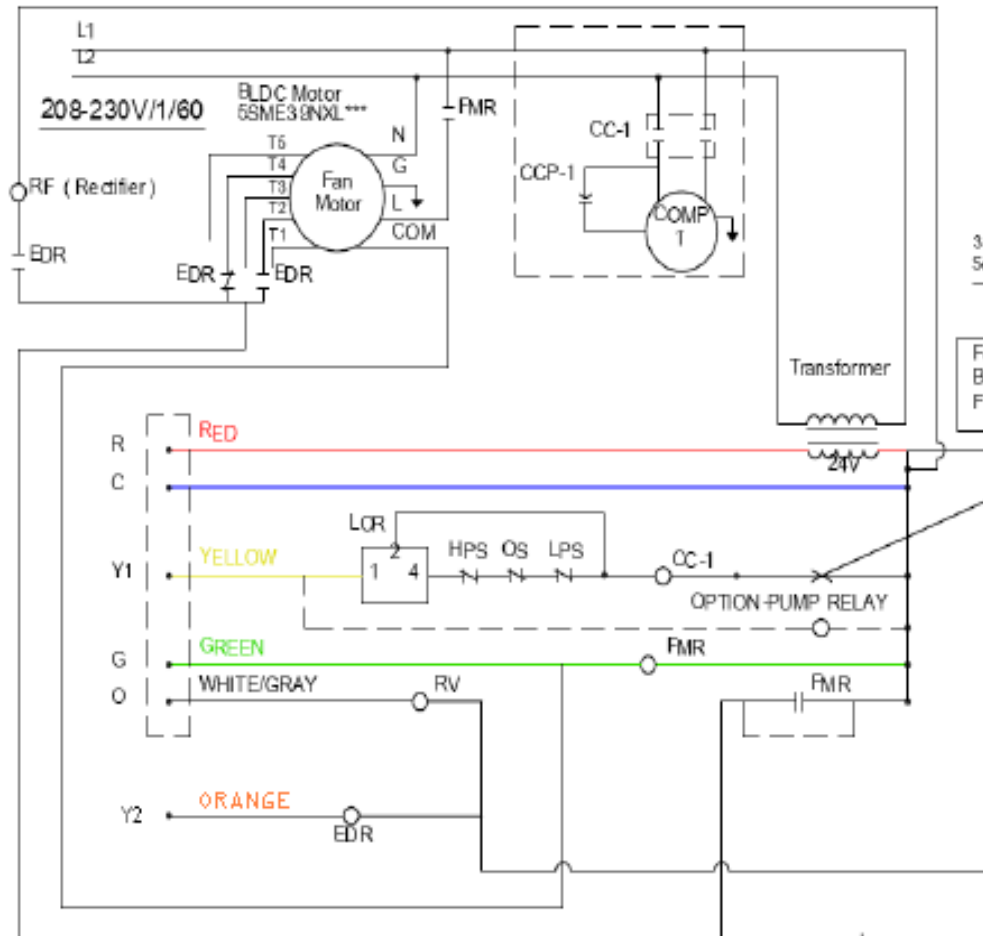


2 Speed NO Board

1 COMP 1 CIRCUIT - SINGLE PHASE



LEGEND

TR	- TRANSFORMER	FMC	- FAN MOTOR CAPACITOR
COMP	- COMPRESSOR	LPS	- LOW PRESSURE SWITCH
CC	- CONTACTOR	LOR	- LOCK OUT RELAY
CCP	- COMPRESSOR CAPACITOR	HPS	- HIGH PRESSURE SWITCH
FM	- FAN MOTOR	OS	- CONDENSATE OVER-FLOW SWITCH
FMR	- FAN MOTOR RELAY	RV	- REVERSING VALVE

LEGEND

- COMP - Compressor
- CC - Contactor
- CCP - Compressor Capacitor
- EDR - Enhance Drying Relay
- FMR - Fan Motor Relay

***FAN MOTOR WIRES/SPEEDS**

- BLACK - HIGH SPEED
- BLUE - MEDIUM SPEED
- RED - LOW SPEED

**For Non BLDC Motor & When Applicable

NOTES: Compressor & blower motor internally thermally protected. For line voltage wiring use copper conductors only. All wiring to the unit must comply with local electrical codes.