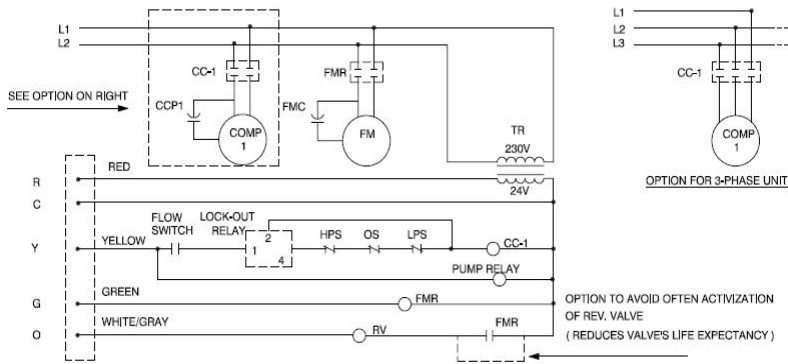
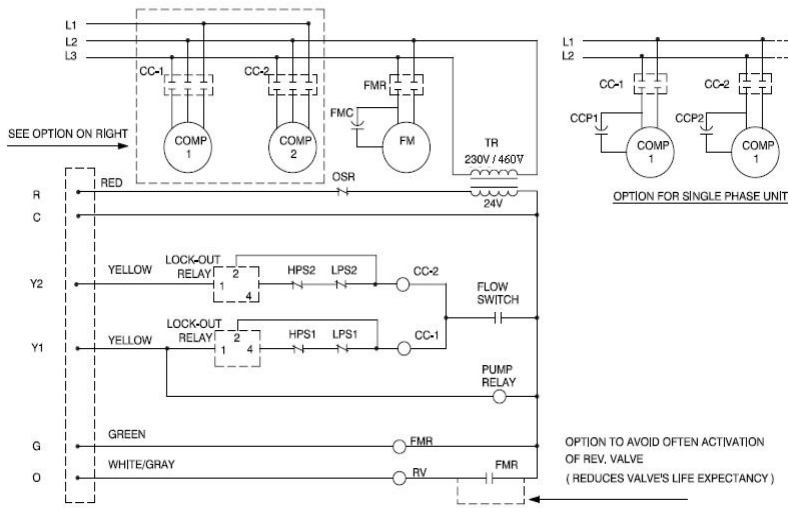


WIRING DIAGRAMS

1 COMP 1 CIRCUIT - SINGLE PHASE



2 COMP 2 CIRCUITS - THREE PHASE



LEGEND

TR - TRANSFORMER	FMC - FAN MOTOR CAPACITOR
COMP - COMPRESSOR	LPS - LOW PRESSURE SWITCH
CC - CONTACTOR	HPS - LOW PRESSURE SWITCH
CCP - COMPRESSOR CAPACITOR	OS - CONDENSATE OVER-FLOW SWITCH
FM - FAN MOTOR	RV - REVERSING VALVE
FMR - FAN MOTOR RELAY	

** FAN MOTOR WIRES/SPEEDS
BLACK - HIGH SPEED
BLUE - MEDIUM SPEED
RED - LOW SPEED
** When applicable

- NOTES:
- Compressor and blower motor internally thermally protected.
 - For line voltage wiring use copper conductors only.
 - All wiring to the unit must comply with local electrical codes.

Adding Electric Heat to WSHP

